

# BAXI S.p.A.



LUNA )  
2000

**SPARE PARTS LIST**  
**- February 2005 -**



## HOW TO READ THE SPARE PARTS CATALOGUE

In the spare part catalogue, after the exploded diagrams, there are the components lists of the boilers; this is the meaning of the different columns:

<b>Pos</b>	Identification number of the component in the exploded diagram of the boiler.
<b>Description</b>	Short description of the component.
<b>Code</b>	BAXI S.p.A. code of the component.
<b>Tab. XX</b>	XX is the exploded diagram number of the boiler taken into consideration.
<b>From serial number</b>	Date (year and week) identifying the beginning of production of a component (taken from the serial number of the boiler). e.g. <b>B405: year 2004</b> (B identifies the decade 2000-2009; 4 identifies the year) – <b>5<sup>th</sup> week</b> . If the box is empty, the component is in use from the beginning of production of the boiler.
<b>To serial number</b>	Date (year and week) identifying the end of production of a component (taken from the serial number of the boiler). e.g. <b>B412: year 2004</b> (B identifies the decade 2000-2009; 4 identifies the year) – <b>12<sup>th</sup> week</b> . If the box is empty, the component is still in use.
<b>Interchangeable</b>	It identifies the interchangeability between the new component and the old one. YES: components are interchangeable. NO: components are <u>not</u> interchangeable.

### *Note*

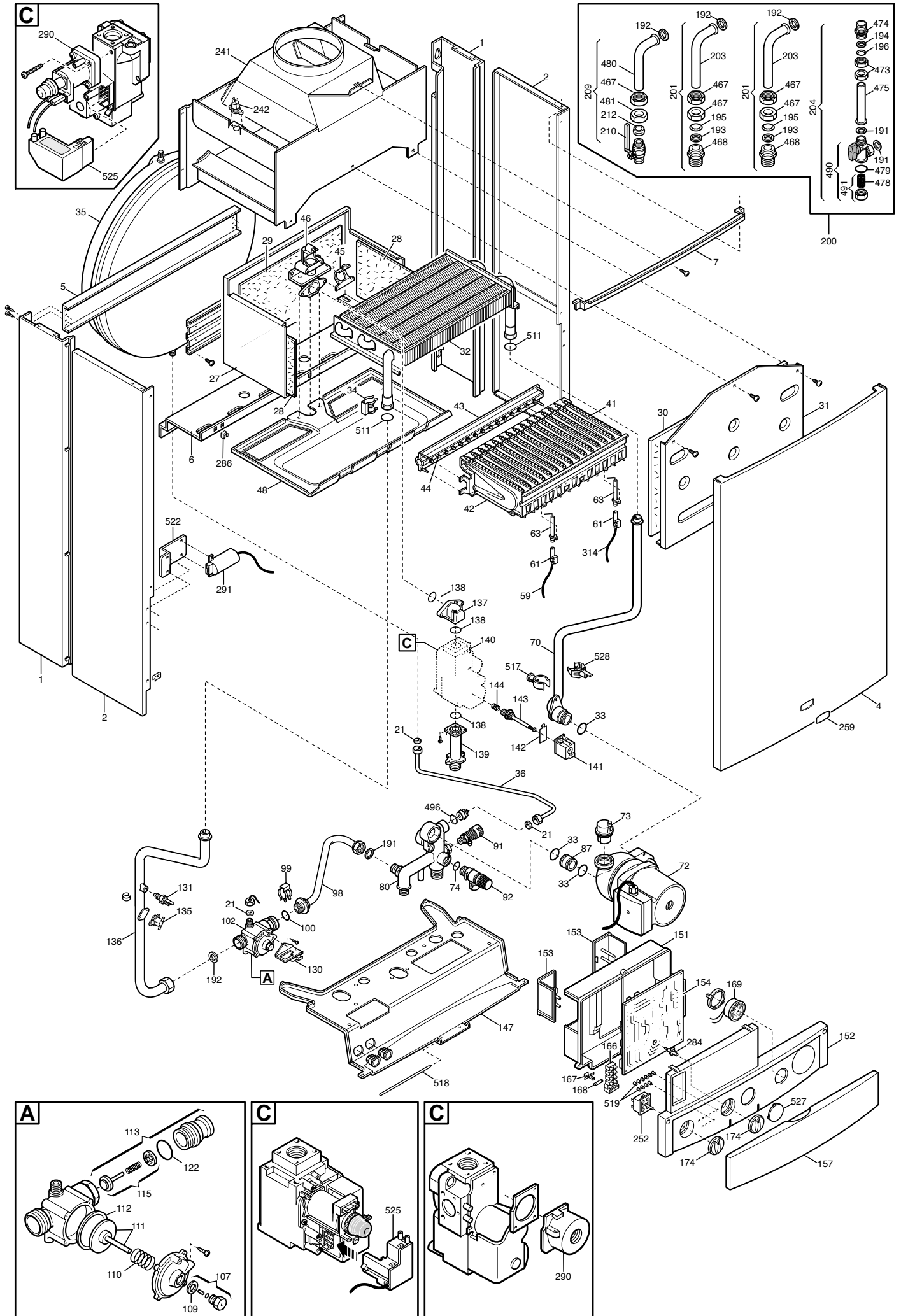
Every model of boiler is available in the version working with Natural Gas or in the version working with LPG.

The boiler's code (composed of a prefix CSB and 9 numbers) identifies the version as follows:

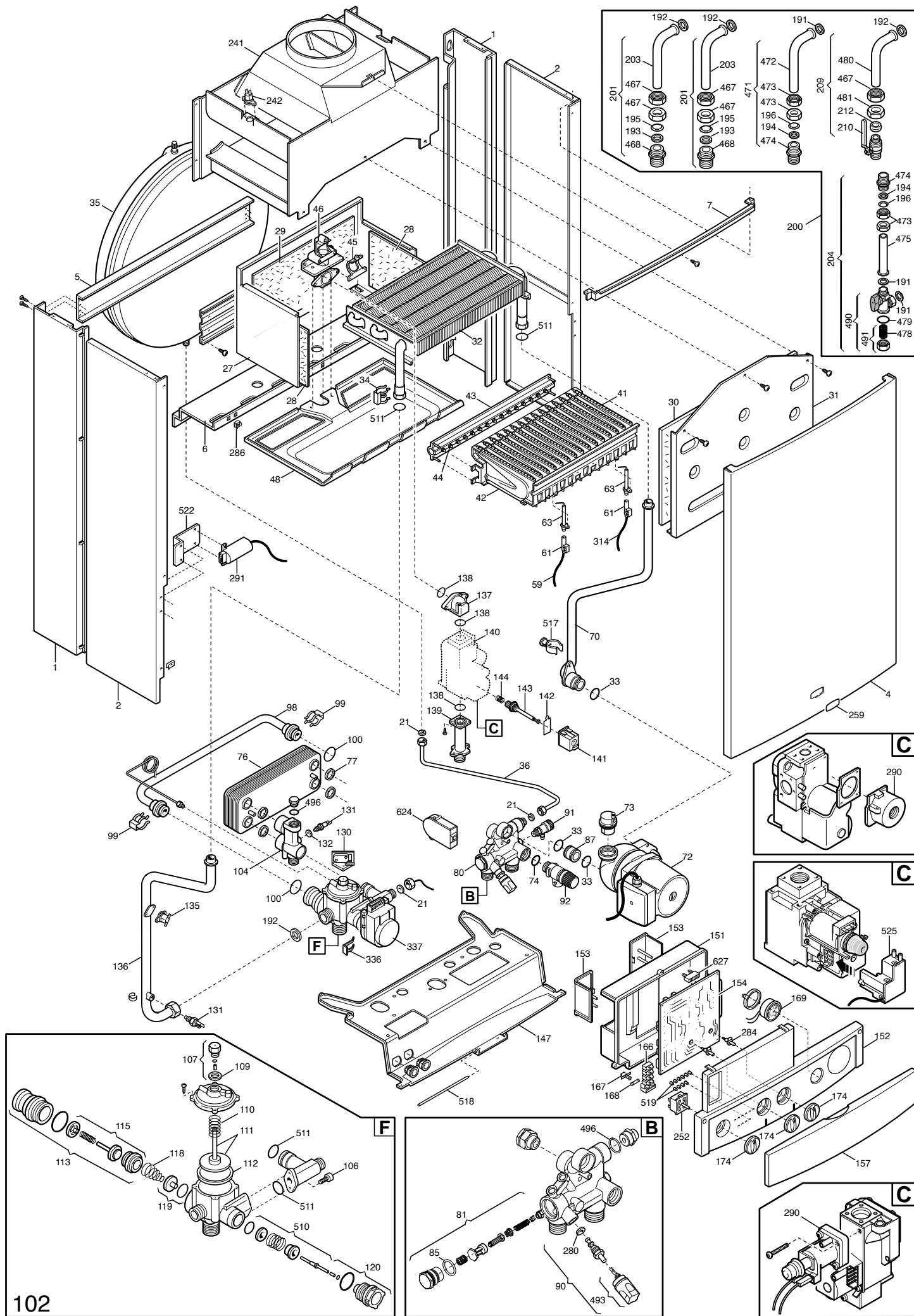
6<sup>th</sup> number = 1: LPG version

6<sup>th</sup> number = 3: Natural Gas version

# Lun-1.240-i



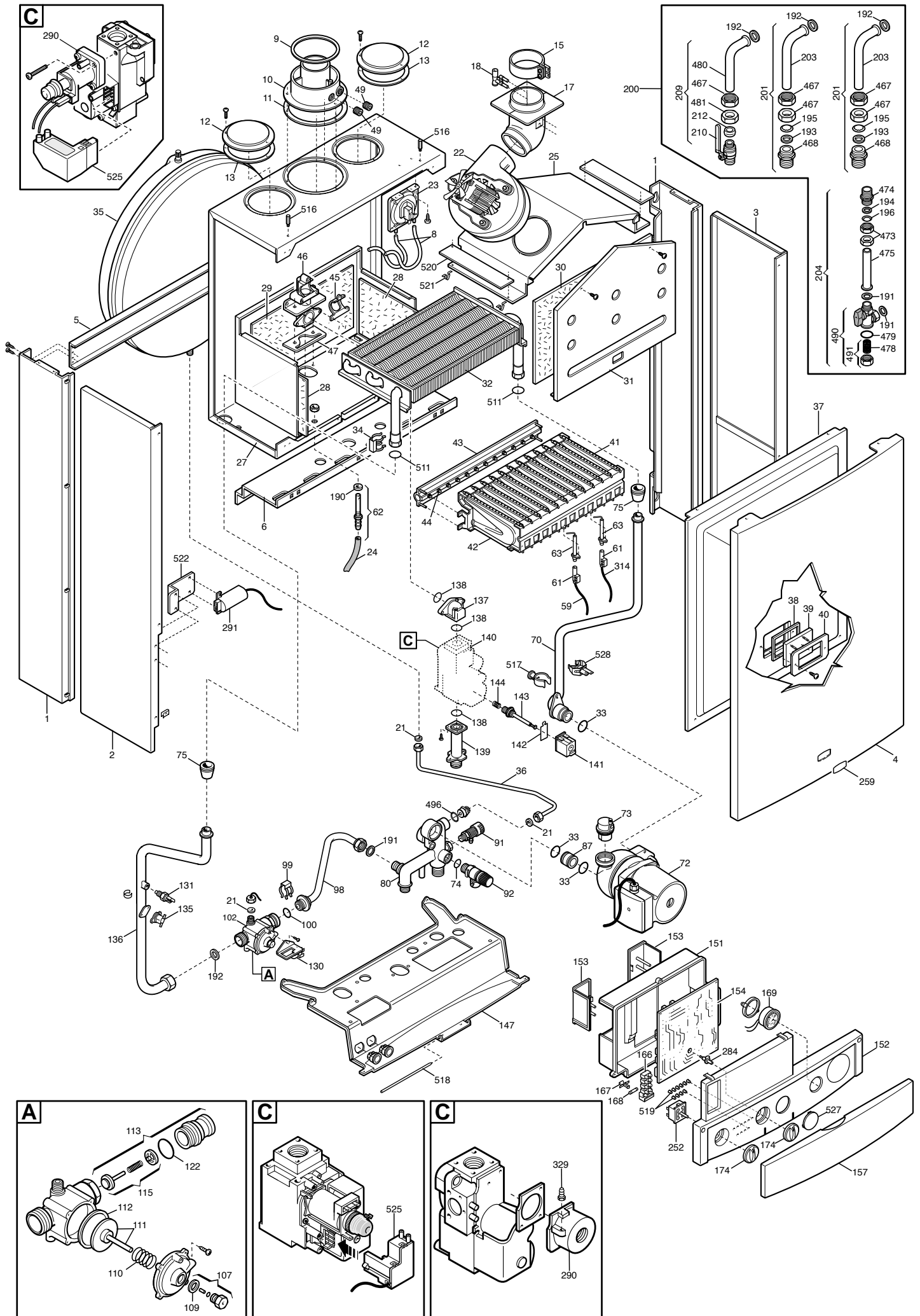
# LUN-AIR 240 i





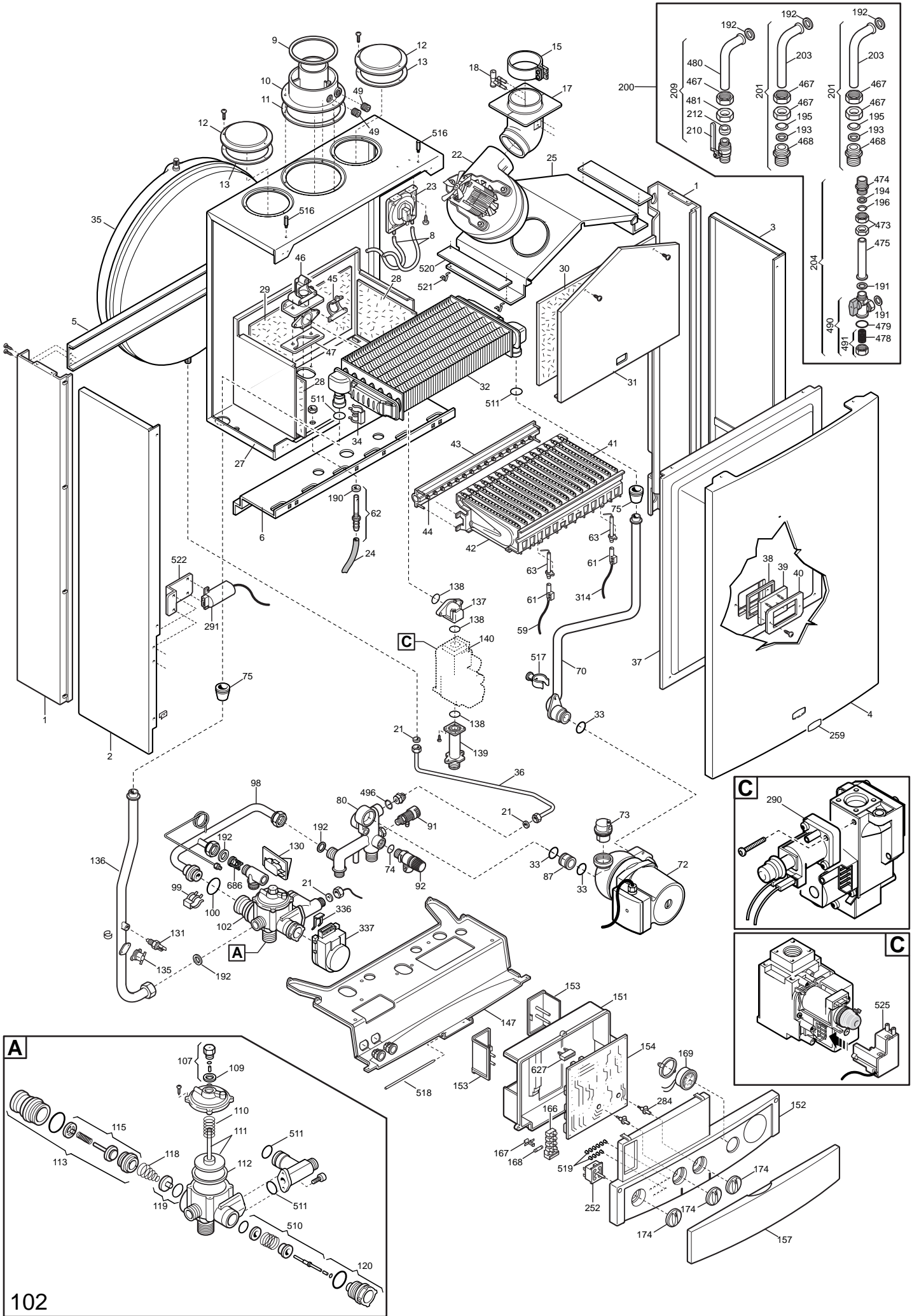


# LUNA 1.240 Fi





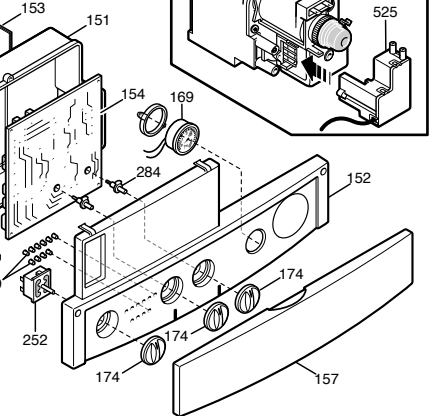
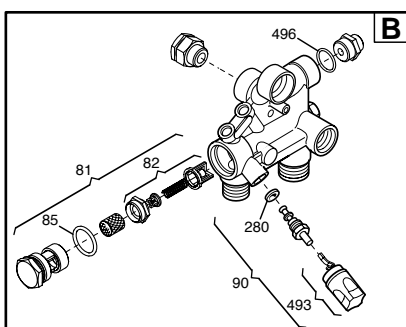
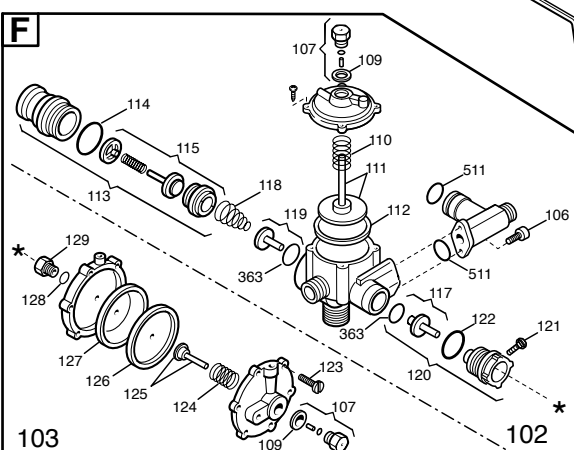
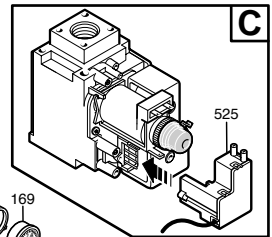
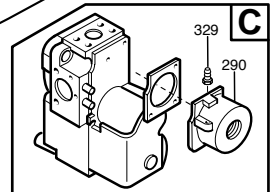
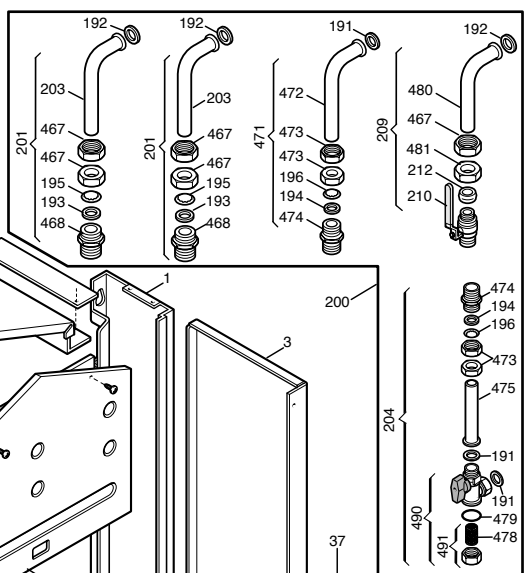
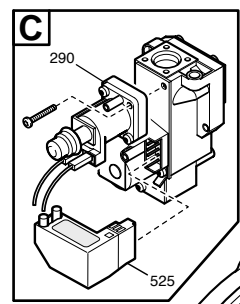
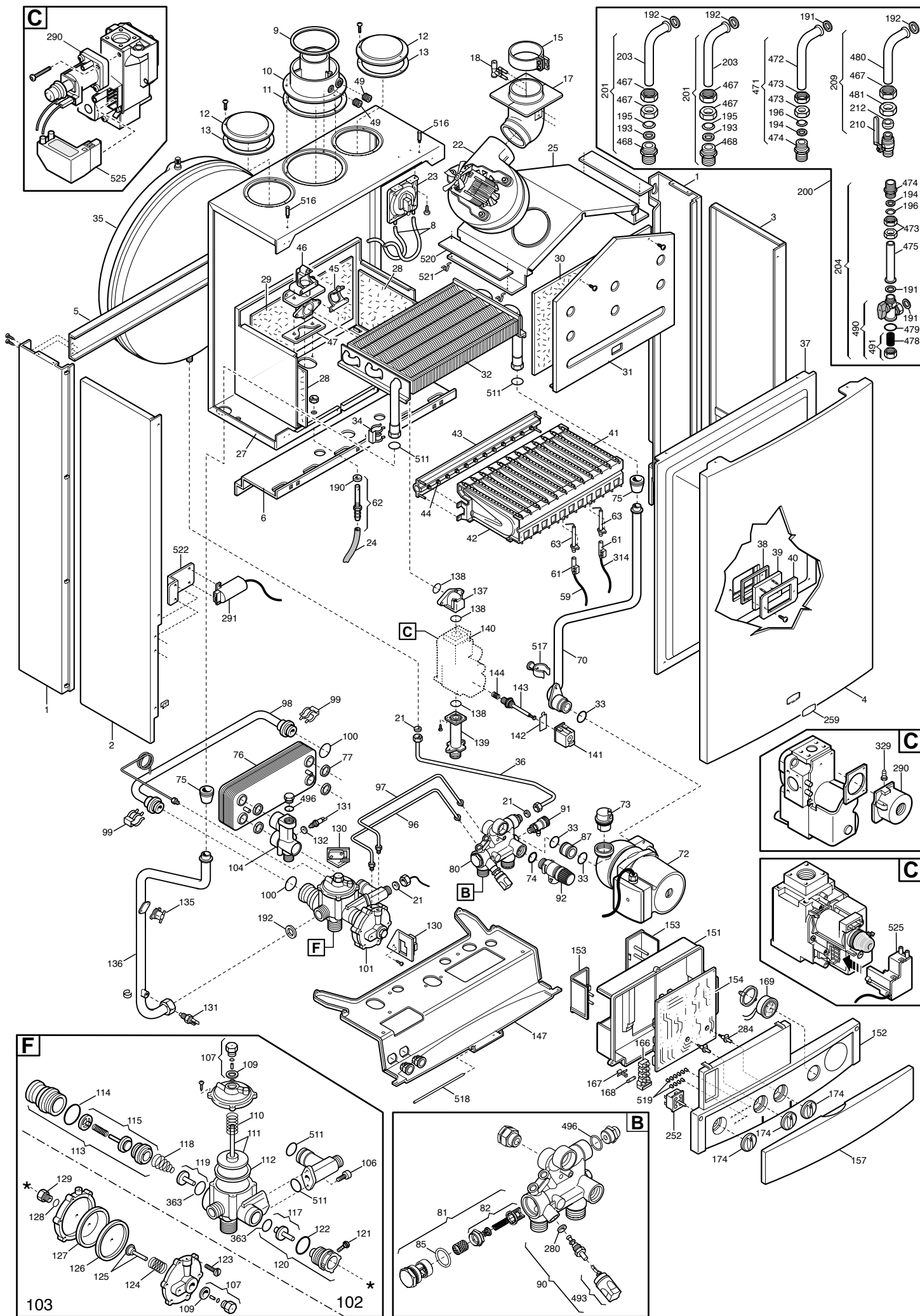
# LUNA1.310 Mv





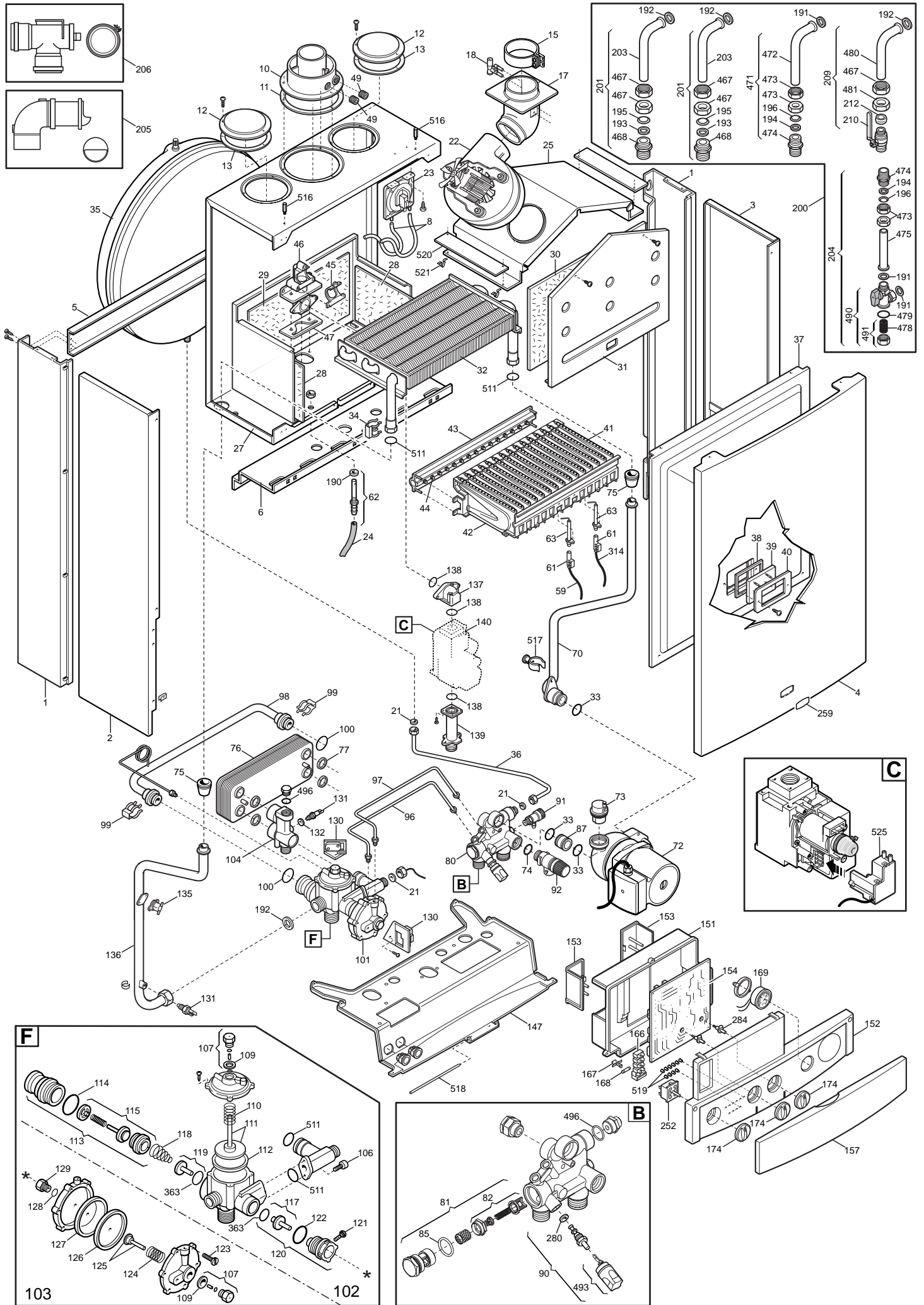


# LUN-240Fi

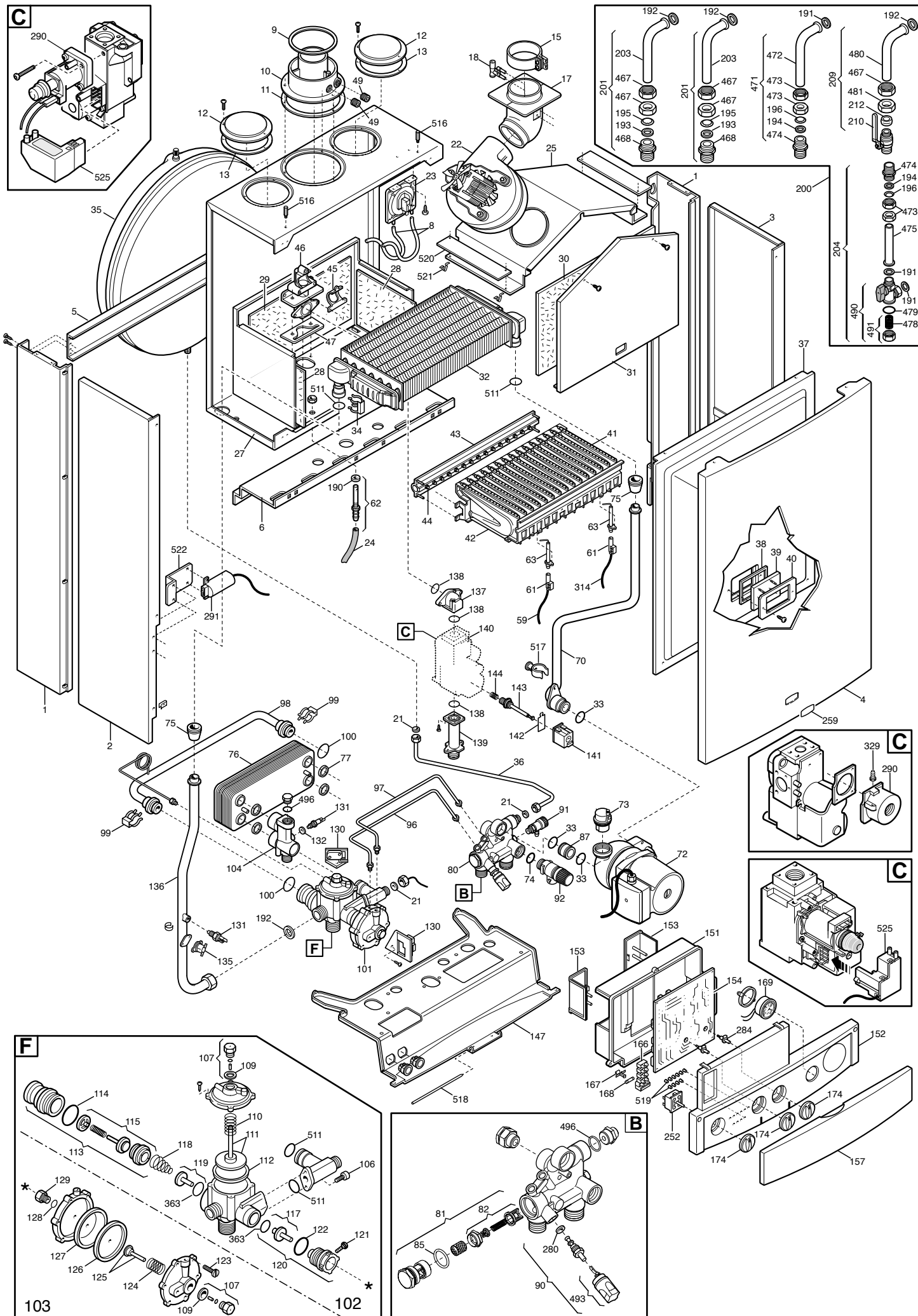




# LUNA Super240



# LUNA 310 Fi



# LUNA 2000

CSB43124X660-1-2-LUNA 1\_240 I  
 CSB43224X660-LUNA AIR 240 I  
 CSB43224X660-1-2-LUNA 240 I  
 CSB43228X660-1-2-LUNA 240 I  
 CSB43224X660-1-2-3-LUNA 280 I  
 CSB43531X660-1-LUNA 1\_240 FI  
 CSB43624X660-1-LUNA 1\_310 FI MW  
 CSB43624X660-1-LUNA AIR 240 FI  
 CSB43631X660-1-2-LUNA SUPER 240 FI  
 CSB43631X660-1-2-LUNA 310 FI

Pos.		Code	1	2	3	4	5	6	7	8	9	10	11	From serial number	To serial number	Inter-changeable
1	LATERAL REAR SUPPORT H=763	5653140					•	•	•	•	•	•	•			
1	LATERAL REAR SUPPORT H=803	5653150	•	•	•	•										
2	LEFT PANEL ASSEMBLY H=763	5653630					•	•	•	•	•	•	•			
2	LATERAL PANEL H=803	5112030	•	•	•	•										
3	RIGHT PANEL ASSEMBLY H=763	5653620					•	•	•	•	•	•	•			
4	FRONTAL PANEL ASSEMBLY I	5655330	•	•	•	•										
4	FRONTAL PANEL ASSEMBLY FI	5112120					•	•	•	•	•	•	•			
5	UPPER TRAVERSE	5110290	•	•	•	•	•	•	•	•	•	•	•			
6	LOWER TRAVERSE	5109640	•	•	•	•	•	•	•	•	•	•	•			
7	FRONTAL TRAVERSE	5112020	•	•	•	•										
8	AIR PRESSURE SWITCH PIPE L=270	5408080					•	•	•	•	•	•	•			
9	SUCTION RESTRICTOR D.80	5108700					•	•	•	•	•	•	•			
10	COAXIAL FLUE FLANGE	5207060					•	•	•	•	•	•	•			
11	FLANGE GASKET	5407890					•	•	•	•	•	•	•			
12	SUCTION CAP	5108690					•	•	•	•	•	•	•			
13	SUCTION CAP GASKET	5407400					•	•	•	•	•	•	•			
15	JOINT ASSEMBLY (with gasket and screws)	600530					•	•	•	•	•	•	•			
17	CONVEYOR BEND	5211090					•	•	•	•	•	•	•			
18	FLUE PLASTIC VENTURI	5407050					•	•	•	•	•	•	•			
21	GASKET 6,1X12X1,5 WRC (ex 5402050)	5402050	•	•	•	•	•	•	•	•	•	•	•			
22	FAN 1 SPEED (MVL)	5653850					•			•	•	•	•			
22	FAN 1 SPEED (MVL) 75W	5655730						•	•				•			
23	FAN PRESSURE SWITCH (HONEYWELL)	5629560					•	•	•	•	•	•	•		B440	YES
23	FAN PRESSURE SWITCH (HONEYWELL)	5617550														
23	FAN PRESSURE SWITCH (TRIDELTA)	5655120					•	•	•	•	•	•	•			YES
23	FAN PRESSURE SWITCH ASSEMBLY	618470					•	•	•	•	•	•	•		B441	
24	COMPENSATION PIPE L=130	5407930					•	•	•	•	•	•	•			
25	CONVEYOR ASSEMBLY	5653170					•			•	•	•	•			
25	CONVEYOR ASSEMBLY	5653180						•	•				•			
27	COMBUSTION CHAMBER ASSEMBLY (ATM)	5653760	•	•	•											
27	COMBUSTION CHAMBER ASSEMBLY (FF)	5653780					•			•	•	•	•			
27	COMBUSTION CHAMBER ASSEMBLY (FF)	5655480						•	•				•			
27	COMBUSTION CHAMBER ASSEMBLY (28ATM)	5655510				•										
28	LATERAL INSULATING PANEL	5210250	•	•	•	•	•			•	•	•	•			YES
28	LATERAL INSULATING PANEL	5213160	•	•	•	•	•			•	•	•	•			
28	LATERAL INSULATING PANEL	5210910						•	•				•			YES
28	LATERAL INSULATING PANEL	5213190						•	•				•			
29	REAR INSULATING PANEL	5210280				•										YES
29	REAR INSULATING PANEL	5213240				•										
29	REAR INSULATING PANEL	5210260	•	•	•		•	•	•	•	•	•	•			YES
29	REAR INSULATING PANEL	5213290	•	•	•		•	•	•	•	•	•	•			
30	FRONTAL INSULATING PANEL	5210270	•	•	•											YES
30	FRONTAL INSULATING PANEL	5213310	•	•	•											
30	FRONTAL INSULATING PANEL	5210750					•	•	•	•	•	•	•			YES
30	FRONTAL INSULATING PANEL	5213340					•	•	•	•	•	•	•			
30	FRONTAL INSULATING PANEL	5210290				•										YES
30	FRONTAL INSULATING PANEL	5213320				•										
31	COMB. CHAMBER PANEL	5111840					•			•	•	•	•			
31	COMB. CHAMBER PANEL	5111850						•	•				•			
31	COMB. CHAMBER FRONT PANEL	5108030	•	•	•											
31	COMB. CHAMBER FRONT PANEL	5108500				•										
32	PRIMARY EXCHANGER WITH CLIPS	5636760				•										
32	PRIMARY EXCHANGER WITH CLIPS	603280	•	•	•		•			•	•	•	•			YES
32	PRIMARY EXCHANGER WITH CLIPS	5632470	•	•	•		•			•	•	•	•			
32	PRIMARY EXCHANGER WITH CLIPS	608550						•	•				•			
33	O-RING 22X3 EPDM	5403130	•	•	•	•	•	•	•	•	•	•	•			
34	PRIMARY EXCHANGER CLIPS (ex 5109470)	5112510	•	•	•	•	•	•	•	•	•	•	•			

# LUNA 2000

CSB43224X680-1-2-LUNA 1\_240 I  
 CSB43224X680-LUNA AIR 240 I  
 CSB43224X680-1-2-LUNA 240 I  
 CSB43228X680-1-2-LUNA 280 I  
 CSB43524X680-1-2-3-LUNA 1\_240 FI  
 CSB43531X680-1-LUNA 1\_310 FI MW  
 CSB43624X680-1-LUNA AIR 240 FI  
 CSB43624X680-1-2-LUNA 240 FI  
 CSB43631X680-1-2-LUNA SUPER 240 FI

Pos.		Code	1	2	3	4	5	6	7	8	9	10	11	From serial number	To serial number	Inter-changeable
35	EXPANSION VESSEL 8 L.	5608840				•		•	•				•			
35	EXPANSION VESSEL 10 L.	5625560	•	•	•		•			•	•	•				
36	EXPANSION VESSEL PIPE	5653290	•	•	•	•	•	•	•	•	•	•	•			
37	SEALED CHAMBER FRONT PANEL	5656490					•			•	•	•				
37	SEALED CHAMBER FRONT PANEL	5656500						•	•				•			
38	PILOT SIGHT GLASS GASKET	5401610					•	•	•	•	•	•	•			
39	PILOT SIGHT GLASS	5203930					•	•	•	•	•	•	•			
40	PILOT SIGHT FRAME	5103360					•	•	•	•	•	•	•			
41	BURNER ASSEMBLY (12 ELEMENTS)	5653310					•			•	•					
41	BURNER ASSEMBLY (15 ELEMENTS)	5653300	•	•	•			•	•				•	•		
41	BURNER ASSEMBLY (18 ELEMENTS)	5655610				•										
42	BURNER ELEMENT	5604090	•	•	•	•	•	•	•	•	•	•	•			
43	GAS RAMP WITH INJECTORS (LPG D.0,77)	605990					•			•	•					
43	GAS RAMP WITH INJECTORS (LPG D.0,69)	606190	•	•	•								•			
43	GAS RAMP WITH INJECTORS (N.G. D. 1,18)	606140	•	•	•								•			
43	GAS RAMP WITH INJECTORS (LPG D. 0,67)	606920				•										
43	GAS RAMP WITH INJECTORS (N.G. D. 1,18)	606910				•										
43	GAS RAMP WITH INJECTORS (N.G. D.1,28)	605850					•			•	•					
43	GAS RAMP WITH INJECTORS (LPG D.0,77)	607400						•	•				•			
43	GAS RAMP WITH INJECTORS (N.G. D. 1,28)	607410						•	•				•			
44	LPG INJECTORS KIT (D.0,67)	608470				•										
44	LPG INJECTORS KIT (D.0,69)	608460	•	•	•								•			
44	LPG INJECTORS KIT (D.0,77)	608450					•	•	•	•	•	•	•			
44	N.G. INJECTORS KIT ( D. 1,18)	608440	•	•	•	•							•			
44	N.G. INJECTORS KIT ((D.1,28)	608430					•	•	•	•	•	•	•			
45	GAS RAMP GASKET	5407940	•	•	•	•	•	•	•	•	•	•	•			
46	GAS RAMP CONNECTING FLANGE	5210680	•	•	•	•	•		•	•	•	•	•			YES
46	GAS RAMP CONNECTING FLANGE ASSEMBLY	5657180	•	•	•	•	•	•	•	•	•	•	•			
47	GASKET (GAS RAMP/SEALED CHAMBER)	5407810					•	•	•	•	•	•	•			
48	BURNER TRAY	5112090	•	•	•	•										
49	FLUE FLANGE CAP M14X1	5207070					•	•	•	•	•	•	•			
59	IGNITION ELECTRODE CABLE	8419050	•	•	•	•	•	•	•	•	•	•	•			
61	ELECTRODE PROTECTION CAP (ATM)	5404920	•	•	•	•										
61	ELECTRODE PROTECTION CAP (FF)	5407830					•	•	•	•	•	•	•			
62	SEALED CHAMBER HOSE ADAPTER ASS.	5643090					•	•	•	•	•	•	•			
63	IGNITION ELECTRODE	8422570	•	•	•	•	•	•	•	•	•	•	•			
70	PIPE ASSEMBLY (PUMP/EXCHANGER)	5653250	•	•	•		•			•	•	•				
70	PIPE ASSEMBLY (PUMP/EXCHANGER)	5655470						•	•				•			
70	PIPE ASSEMBLY (PUMP/EXCHANGER)	5655530				•										
72	PUMP UP 15-50 AO (GRUNDFOS)	5655200	•	•	•		•			•	•	•	•			
72	PUMP UP 15-60 AO (GRUNDFOS)	5655620				•		•	•				•			
73	AIR VENT VALVE WITH O-RING (GRUNDFOS)	607290	•	•	•	•	•	•	•	•	•	•	•			
74	O-RING 14X1,78 EP	5406360	•	•	•	•	•	•	•	•	•	•	•			
75	GASKET (WATER PIPE/SEALED CHAMBER)	5404670					•	•	•	•	•	•	•			
76	DHW PLATE EXCHANGER (12 plates) alt.9951040	5653660		•	•					•	•	•				
76	DHW PLATE EXCHANGER (14 plates)	5653680				•				•	•	•				
76	DHW PLATE EXCHANGER (16 plates) alt.9951090	5655780											•			
77	DHW EXCHANGER GASKET	5404520		•	•	•				•	•	•	•			
80	HYDRAULIC INLET GROUP WITH DHW SENSOR	5658680		•						•						
80	HYDRAULIC INLET GROUP	5655650	•				•	•	•							
80	HYDRAULIC INLET GROUP WITH FILLING TAP	5653550			•	•					•	•	•			
81	FILTER AND TRANSDUCER ASSEMBLY	612140		•						•						
81	FILTER AND VENTURI ASSEMBLY	607240			•	•					•	•	•			
82	HYDRAULIC VENTURI ASSEMBLY	5630170			•	•					•	•	•			
85	O-RING 20,63X2,62	5405350		•	•	•				•	•	•	•			
87	PUMP CONNECTING ELEMENT	5210710	•	•	•	•	•	•	•	•	•	•	•			
90	FILLING TAP ASSEMBLY	5630180		•	•	•				•	•	•	•			



# LUNA 2000

CSB43224X660-1-2-LUNA 1\_240 I  
 CSB43224X660-LUNA AIR 240 I  
 CSB43224X660-1-2 LUNA 240 I  
 CSB43228X660-1-2-LUNA 280 I  
 CSB43524X660-1-2-3-LUNA 1\_240 FI  
 CSB43531X660-1-LUNA 1\_310 FI MW  
 CSB43624X660-1-LUNA AIR 240 FI  
 CSB43624X660-1-2-LUNA 240 FI  
 CSB43631X660-1-2-LUNA SUPER 240 FI  
 CSB43631X660-1-2-LUNA 310 FI

Pos.		Code	1	2	3	4	5	6	7	8	9	10	11	From serial number	To serial number	Inter-changeable
91	DRAINING TAP (alt. 9951120)	5652030	●	●	●	●	●	●	●	●	●	●	●			
92	HYDRAULIC SAFETY VALVE WITH O.R. -3 bar-	5653690	●	●	●	●	●	●	●	●	●	●	●			
96	PRESSURE PIPE (POSITIVE)	5653280			●	●					●	●	●			
97	PRESSURE PIPE (NEGATIVE)	5653270			●	●					●	●	●			
98	BY-PASS PIPE ASSEMBLY	5628240	●				●		●							
98	BY-PASS PIPE ASSEMBLY	5664370					●									
98	BY-PASS PIPE ASSEMBLY	5653260		●	●	●				●	●	●	●			
99	BY-PASS PIPE FIXING CLIP	5108130	●	●	●	●	●	●	●	●	●	●	●			
100	O-RING 13,94X2,62X EPDM	5406630	●	●	●	●	●	●	●	●	●	●	●			
101	3 P.VALVE/PRESSURE SWITCH/SENSOR ASS.	5653590			●	●					●	●	●			
102	3 PORT VALVE	5658690		●				●		●						
102	BY PASS/PRESSURE SWITCH	5628230	●				●		●							
102	3 PORT VALVE/PRESSURE SWITCH ASSEMBLY	607250			●	●					●	●	●			
103	SENSOR ASSEMBLY (DHW PRESSURE SWITCH)	5629950			●	●					●	●	●			
104	SANITARY OUTLET CONNECTION	5653840		●	●	●				●	●	●	●			
106	SCREW M5X12	8101430		●	●	●				●	●	●	●			
107	PIN GUIDE ASSEMBLY	5630250	●	●	●	●	●	●	●	●	●	●	●			
109	GASKET 10X14X1,5	5207810	●	●	●	●	●	●	●	●	●	●	●			
110	SPRING	8380530	●	●	●	●	●	●	●	●	●	●	●			
111	PRESSURE SWITCH PLATE ASSEMBLY	5630240	●	●	●	●	●	●	●	●	●	●	●			
112	DIAPHRAGM	5405960	●				●		●							
112	3 PORT VALVE DIAPHRAGM	5405320		●	●	●		●		●	●	●	●			
113	BY-PASS ASSEMBLY	5630190		●	●	●		●		●	●	●	●			
113	BY-PASS ASSEMBLY	5635220	●				●		●							
114	O-RING 26,64X2,62	5403820			●	●					●	●	●			
115	BY-PASS PLUG ASSEMBLY	5645660	●	●	●	●	●	●	●	●	●	●	●			
117	SANITARY PLATE ASSEMBLY	5646180			●	●					●	●	●			
118	CONIC SPRING	8380520		●	●	●		●		●	●	●	●			
119	HEATING PLATE ASSEMBLY	605760		●				●		●						
119	HEATING PLATE ASSEMBLY	5646170			●	●					●	●	●			
120	SANITARY PLUG ASSEMBLY	600750		●				●		●						
120	SANITARY PLUG ASSEMBLY	5646190			●	●					●	●	●			
121	SCREW M5X10	8101410			●	●					●	●	●			
122	O-RING 23,47X2,62	5405370	●		●	●	●		●		●	●	●			
123	SCREW M5X13	8101440			●	●					●	●	●			
124	SPRING	8380540			●	●					●	●	●			
125	MICROSWITCH OPERATING PIN	5630260			●	●					●	●	●			
126	DHW PRESSURE SWITCH PLATE ASSEMBLY	5630270			●	●					●	●	●			
127	DHW PRESSURE SWITCH DIAPHRAGM	5405330			●	●					●	●	●			
128	O-RING 2,6X1,9	5405400			●	●					●	●	●			
129	PIN GUIDE	5207860			●	●					●	●	●			
130	MICROSWITCH WITH LEVER ASSEMBLY	5625770	●	●	●	●	●	●	●	●	●	●	●			
131	NTC SENSOR	9950930	●	●	●	●	●	●	●	●	●	●	●			YES
131	NTC SENSOR	8434820	●	●	●	●	●	●	●	●	●	●	●			
132	NTC SENSOR GASKET	5402830		●	●	●				●	●	●	●			
135	LIMIT THERMOSTAT 105°C	9950760	●	●	●	●	●	●	●	●	●	●	●			
136	EXCHANGER/3 PORT VALVE PIPE	5655460						●					●			
136	EXCHANGER/3 PORT VALVE PIPE	5655560				●										
136	EXCHANGER/3 PORT VALVE PIPE	5655640	●				●									
136	EXCHANGER/3 PORT VALVE PIPE	5653240		●	●					●	●	●				
136	EXCHANGER/3 PORT VALVE PIPE	5656010						●								
137	CONNECTING ELEMENT (GAS VALVE/RAMP)	5210700	●	●	●	●	●	●	●	●	●	●	●			
138	O-RING 22,22X2,62	5402010	●	●	●	●	●	●	●	●	●	●	●			
139	GAS VALVE INLET CONNECTION	5210630	●	●	●	●	●	●	●	●	●	●	●			
140	GAS VALVE (HONEYWELL VK 4105 M)	5665210						●								
140	GAS VALVE (HONEYWELL VK 4105 A)	5644680	●	●	●	●	●	●	●	●	●	●	●		B240	YES
140	GAS VALVE (SIT 845 SIGMA)	5653610	●	●	●	●	●	●	●	●	●	●	●			

# LUNA 2000

Pos.	Code	CSB43124X660-1-2-LUNA 1_240 I											From serial number	To serial number	Inter-changeable	
		1	2	3	4	5	6	7	8	9	10	11				
140	GAS VALVE (HONEYWELL VK 4105 M)	5665210	●	●	●	●	●		●	●	●		●	B240		
141	MODULATING COIL AND SPRING	8440130	●	●	●	●	●		●	●	●		●			
142	COIL FIXING SPRING	5108980	●	●	●	●	●		●	●	●		●			
143	N.G. SPRING/PIVOT ASSEMBLY	5637710	●	●	●	●	●		●	●	●		●			
144	CILINDRIC SPRING FOR N.G.	8380640	●	●	●	●	●		●	●	●		●			
147	CONNECTION TRAVERSE	5664840						●								
147	CONNECTION TRAVERSE	5653160	●	●	●	●	●		●	●	●	●	●			
151	ELECTRIC BOX REAR COVER	5407650	●	●	●	●	●	●	●	●	●	●	●			
152	PRINTED CONTROL PANEL -LUNA AIR 240 FI	5658660								●						
152	PRINTED CONTROL PANEL -LUNA SUPER 240	5656480										●				
152	PRINTED CONTROL PANEL -LUNA 1.240 FI	5655550					●									
152	PRINTED CONTROL PANEL -LUNA 1.310 FI	5656020								●						
152	PRINTED CONTROL PANEL -LUNA 1.310FI Mv	5666150							●							
152	PRINTED CONTROL PANEL -LUNA AIR 240 I	5658670		●												
152	PRINTED CONTROL PANEL -LUNA 1.240 I	5655600	●													
152	PRINTED CONTROL PANEL -LUNA 240 FI	5655220										●				
152	PRINTED CONTROL PANEL -LUNA 310 FI	5655760											●			
152	PRINTED CONTROL PANEL -LUNA 240 I	5655300			●											
152	PRINTED CONTROL PANEL -LUNA 280 I	5655670					●									
153	TERMINAL BOARD COVER	5407660	●	●	●	●	●	●	●	●	●	●	●			
154	P.C.B. (SIT)	5654950	●		●	●	●		●		●	●	●			YES
154	P.C.B. (HONEYWELL/INECO)	5655990	●		●	●	●		●		●	●	●	B437		YES
154	P.C.B. OMNI 2000 (HONEYWELL/INECO)	5657840		●				●		●						
154	P.C.B. BMBC (HONEYWELL/INECO)	5672510	●		●	●	●		●		●	●	●	B438		
157	CONTROL PANEL COVER	5407820	●	●	●	●	●	●	●	●	●	●	●			
166	TERMINAL BLOCK	8421590	●	●	●	●	●	●	●	●	●	●	●			
167	FUSE HOLDER	5405340	●	●	●	●	●	●	●	●	●	●	●			
168	FUSE (2A-250V) alt. 8421410	9950580	●	●	●	●	●	●	●	●	●	●	●			
169	MANOMETER WITH SUPPORT (ex 5656220)	9951020	●	●	●	●	●	●	●	●	●	●	●			
174	LUNA 2000 KNOB	5407790	●		●	●	●		●		●		●		B040	YES
174	LUNA 2000 KNOB -SILVER-	5408150		●					●		●		●			
174	LUNA 2000 KNOB -SILVER-	5408150	●		●	●	●		●		●		●	B040		
190	GASKET G3/8 8X15X2 WRC	5404970					●	●	●	●	●	●	●			
191	GASKET G1/2 12X18X2 WRC	5404640	●	●	●	●	●	●	●	●	●	●	●			
192	GASKET G 3/4 17X24X2 WRC	5404650	●	●	●	●	●	●	●	●	●	●	●			
193	GASKET D. 18	5400940	●	●	●	●	●	●	●	●	●	●	●			
194	GASKET D. 14	5400950	●	●	●	●	●	●	●	●	●	●	●			
195	ELASTIC RING D. 18	5101880	●	●	●	●	●	●	●	●	●	●	●			
196	ELASTIC RING D. 14	5101890	●	●	●	●	●	●	●	●	●	●	●			
200	CONNECTION ASSEMBLY	5626010		●	●	●				●	●	●	●			
200	CONNECTION ASSEMBLY	5628320	●					●	●							
201	HEATING CONNECTION	5625950	●	●	●	●	●	●	●	●	●	●	●			
203	HEATING FLOW - HEATING RETURN PIPE	5628020	●	●	●	●	●	●	●	●	●	●	●			
204	COLD WATER TAP	5625980	●	●	●	●	●	●	●	●	●	●	●			
205	90° BEND - AIR CONNECTION ASSEMBLY	5657210										●				
206	CONDENSE BODY-REDUCTION-JOINT ASSEMBLY	5659310										●				
209	GAS TAP ASSEMBLY	5627620	●	●	●	●	●	●	●	●	●	●	●			
210	GAS TAP WITH LEVER	9950830	●	●	●	●	●	●	●	●	●	●	●			
212	BICONIC GASKET	5209040	●	●	●	●	●		●	●	●	●	●		B202	YES
212	BICONIC GASKET	5408330						●								
212	BICONIC GASKET	5408330	●	●	●	●	●		●	●	●	●	●	B202		
241	DRAUGHT DIVERTER ASSEMBLY	5625860	●	●	●											
241	DRAUGHT DIVERTER ASSEMBLY	5645560				●										
242	FLUE SAFETY THERMOSTAT 70°C	600870	●	●	●											
242	FLUE SAFETY THERMOSTAT 60°C	606930				●										
252	SELECTOR SWITCH (4 POSITION)	8434550	●	●	●	●	●	●	●	●	●	●	●			
259	BRAND BAXI	5657100	●	●	●	●	●	●	●	●	●	●	●			

# LUNA 2000

CSB43224X660-1-2-LUNA 1\_240 I  
 CSB43224X660 - LUNA AIR 240 I  
 CSB43224X660-1-2 LUNA 240 I  
 CSB43228X660-1-2 - LUNA 280 I  
 CSB43524X660-1-2-3-LUNA 1\_240 FI  
 CSB43531X660-1 - LUNA 1\_310 FI MW  
 CSB43624X660-1-LUNA AIR 240 FI  
 CSB43631X660-1-2-LUNA SUPER 240 FI  
 CSB43631X660-1-2-LUNA 310 FI

Pos.		Code	1	2	3	4	5	6	7	8	9	10	11	From serial number	To serial number	Inter-changeable
280	GASKET 14,2X18X1,5 AL -18-	5207730		●	●	●				●	●	●	●			
284	POTENTIOMETER PIN	5405990	●	●	●	●	●	●	●	●	●	●	●			
286	NUT M5	8240530	●		●	●										
290	MODULATOR ASSEMBLY -VK4105M-	5665230						●								
290	ADJUSTING DEVICE -V5306E 1226 1-	600850	●	●	●	●	●		●	●	●		●		B240	YES
290	MODULATOR ASSEMBLY -VK4105M-	5665230	●	●	●	●	●		●	●	●		●	B240		
291	IGNITER WITH CABLE (Honeywell/Ineco)	5653930		●				●		●						
291	IGNITER WITH CABLE (Honeywell/Ineco)	5653930	●		●	●	●		●		●		●		B444	NO
314	FLAME SENSING ELECTRODE CABLE	8418870	●	●	●	●	●	●	●	●	●	●	●			
329	HOSE ADAPTER M5	5207030					●		●	●	●		●			
336	SPRING	8380680		●				●		●						
337	ELBI MOTOR	5647340		●				●		●						
363	O-RING 13,6X2,7	5410020			●	●					●	●	●			
467	NUT G3/4	9950310	●	●	●	●	●	●	●	●	●	●	●			
468	NIPPLE G3/4	5627970	●	●	●	●	●	●	●	●	●	●	●			
471	DHW OUTLET CONNECTION	5625960		●	●	●				●	●	●	●			
472	DHW OUTLET PIPE	5627990		●	●	●				●	●	●	●			
473	NUT G1/2	9950300	●	●	●	●	●	●	●	●	●	●	●			
474	NIPPLE G1/2	5627980	●	●	●	●	●	●	●	●	●	●	●			
475	COLD WATER PIPE	5628000	●	●	●	●	●	●	●	●	●	●	●			
478	SANITARY FILTER	5110040	●	●	●	●	●	●	●	●	●	●	●			
479	O-RING 20,35X1,78	5405190	●	●	●	●	●	●	●	●	●	●	●			
480	GAS PIPE	5628010	●	●	●	●	●	●	●	●	●	●	●			
481	NUT G3/4	5628030	●	●	●	●	●	●	●	●	●	●	●			
490	COLD WATER TAP WITH FILTER	5625970	●	●	●	●	●	●	●	●	●	●	●			
491	PLUG/FILTER ASSEMBLY	5637070	●	●	●	●	●	●	●	●	●	●	●			
493	FILLING KNOB ASSEMBLY	605660		●	●	●				●	●	●	●			
496	O-RING 2062	400020	●	●	●	●	●		●	●	●	●	●			
510	DHW PADDLE ASSEMBLY	600760		●				●		●						
511	O-RING 17,86X2,62	5404600	●	●	●	●	●	●	●	●	●	●	●			
516	PIN	5210670					●	●	●	●	●	●	●			
517	PIPE FIXING ELEMENT	5407840	●	●	●	●	●	●	●	●	●	●	●			
518	CONTROL PANEL PIN	5112040	●	●	●	●	●	●	●	●	●	●	●			
519	NEON GLASS	5407780	●	●	●	●	●	●	●	●	●	●	●			
520	FLAP	5112050					●	●	●	●	●	●	●			
521	FLAP FIXING SPRING	8380730					●	●	●	●	●	●	●			
522	IGNITER SUPPORT	5655180		●				●		●						
522	IGNITER SUPPORT	5655180	●		●	●	●		●		●		●		B444	
525	NAC CONNECTOR (SIT)	8419060	●	●	●	●	●	●	●	●	●	●	●			
525	ANSTOSS CONNECTOR	8510910	●		●	●	●		●		●		●	B445		
527	HOLE PLATE	5408000	●				●		●							
528	NTC SENSOR	8434590	●				●		●							
624	HALL EFFECT SENSOR	8434650		●						●						
627	PCB CONNECTOR	8419350		●						●						
627	PCB CONNECTOR	8611750						●								
686	NO RETURN VALVE BY-PASS	5663020						●								
999	LOW VOLTAGE COMP.WIRING-HALL EFFECT SENSOR	8419340		●						●						
999	LOW VOLTAGE COMP. WIRING (Hon. VK4105A)	5655110	●		●	●	●		●		●		●		B240	
999	LOW VOLTAGE COMP. WIRING (SIT & VK4105M)	5655100	●		●	●	●		●		●	●	●			
999	TERMINAL BOARD WIRING	8418950	●	●	●	●	●	●	●	●	●	●	●			
999	FLUE/LIMIT THERMOSTAT WIRING	8419140	●	●	●	●										
999	FAN/AIR PRESSURE SWITCH/LIMIT TH. WIRING	8419160					●	●	●	●	●	●	●			
999	IGNITER/GAS VALVE WIRING (Honeywell)	8419150		●				●		●						
999	IGNITER/GAS VALVE WIRING (Honeywell)	8419150	●		●	●	●		●		●		●		B444	
999	3 WAY VALVE LOW VOLTAGE WIRING	8510430						●								
999	3 WAY VALVE WIRING	8419320		●						●						YES
999	CABLE - 3 WAY VALVE MOTOR	8419270		●				●		●						

# LUNA 2000

CSB43224X680-1-2-LUNA 1\_240 I  
 CSB43224X680-LUNA AIR 240 I  
 CSB43224X680-1-2 LUNA 240 I  
 CSB43228X680-1-2-LUNA 280 I  
 CSB43524X680-1-2-3-LUNA 1\_240 FI  
 CSB43531X680-1-LUNA 1\_310 FI/M  
 CSB43624X680-LUNA AIR 240 FI  
 CSB43624X680-1-2-LUNA 240 FI  
 CSB43631X680-1-2-LUNA SUPER 240 FI

Pos.		Code	1	2	3	4	5	6	7	8	9	10	11	From serial number	To serial number	Inter-changeable
999	PUMP/SELECTOR WIRING	8419130	●	●	●	●	●	●	●	●	●	●	●			
999	POWER SUPPLY CABLE	8414620	●	●	●	●	●	●	●	●	●	●	●			
999	EARTH WIRING (HONEYWELL)	8419040	●		●	●	●		●		●		●		B444	
999	EARTH WIRING (SIT)	8419080	●		●	●	●		●		●		●			
999	TIMER CONNECTOR	8418860	●	●	●	●	●	●	●	●	●	●	●			



**BAXI**

**BAXI S.p.A.**  
**Via Trozzetti, 20**  
**36061 BASSANO DEL GRAPPA (VI)**  
**ITALY**  
**Tel. +390424517111**  
**Telefax +390424517379**  
**E-mail. [service@baxi.it](mailto:service@baxi.it)**